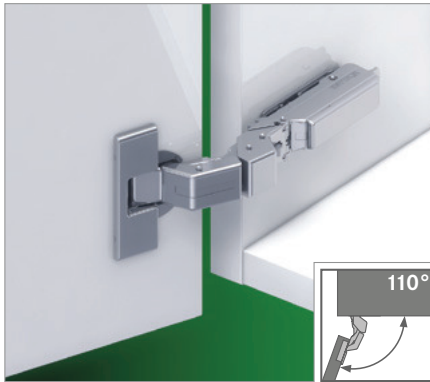


TIOMOS M9

110° hinge (door thicknesses from 12 mm)



- For door thicknesses up to max. 28 mm
- 35 mm full cup drilled hole
- Low cup depth of 9 mm
- 3-dimensional adjustment with appropriate mounting plate
- For door overlays up to 25 mm

Available in 3 versions:

- With integrated damper (3 adjustable damping levels)
- Without integrated damper
- Without self-closing mechanism (without spring)

ORDER INFORMATION FOR DRILLING TEMPLATE 45/9.5

Door overlay	Cranking	Damper		without spring	Click-on For screw fixing	Art.-no.	
		with	without				
	14	■	-	-	F029 140338		
		-	■	-	F047 140339		
		-	■	■	F049 140340		

Cup material: Zamak, nickel-plated/arm material: Zamak, nickel-plated

COVER CAPS

	Designation	Imprinted/Embossed	Art.-no.
	Hinge arm cover cap, steel, nickel-plated, not imprinted	On request	F072 135500
	Hinge arm cover cap, right, steel, nickel-plated, GRASS imprint	GRASS logo	F072 135550
	Hinge arm cover cap, left, steel, nickel-plated, GRASS imprint		F072 135551
	Premium hinge arm cover cap with integrated clip protection, plastic, black, not imprinted	On request	F072 140504
	Hinge cup cover cap, steel, nickel-plated, not imprinted	-	F072 135503

ACCESSORIES

	Designation	Art.-no.
	Countersunk wood screw Ø 3.5 x 15 mm	F146073976
	Tipmatic pin for wooden and aluminium frame doors	F069 135396

	Designation	Art.-no.
	85° opening angle reduction clip	F072 135871

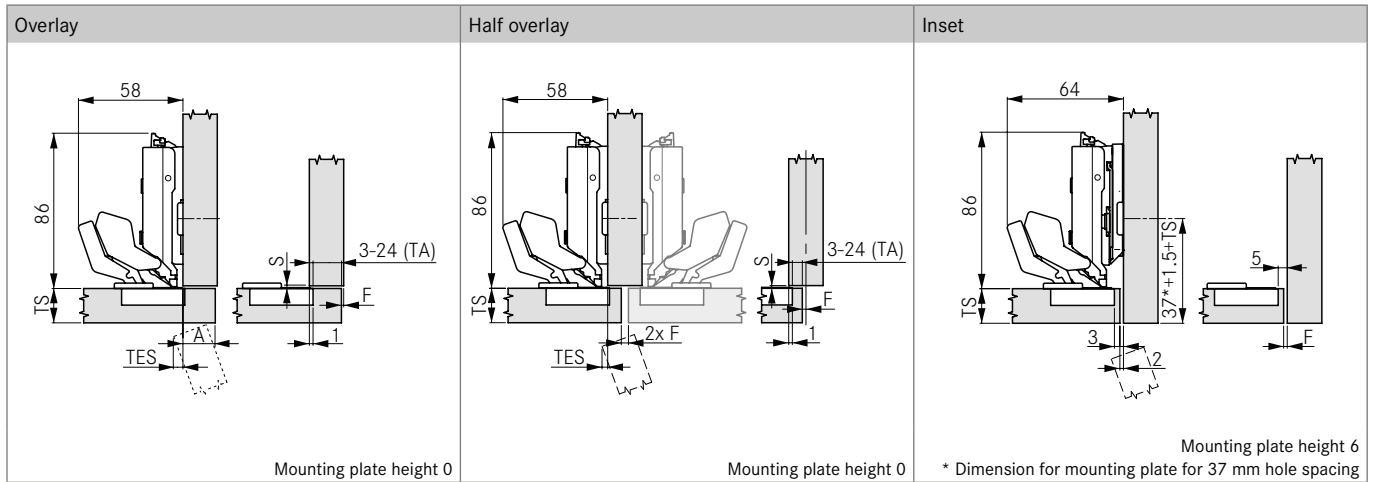
Tiomos mounting plates	80
Accessories	90

Tipmatic	278
Technical information	94

Assembly aids	332
---------------	-----

INSTALLATION INFORMATION

All dimensions in millimetres



MINIMUM GAP/MINIMUM REVEAL

values for 0 mounting plate height

Door thickness (TS)	Cup distance (TA)		Door protrusion (TES)		Door overlay (A)		min. reveal (F)/gap (S)	
	F	S	F	S	F	S	F	S
12-20	1	1.5	1	1.5	1	1.5	1	1.5
22	1	1.5	1	1.5	1	1.5	1	1.5
24	1	1.5	1.2	1.5	1.3	1.5	1.5	1.5
26	2.2	1.5	2.4	1.5	2.7	1.5	3.1	1.5
28	3.9	1.5	4.3	1.5	5.1 ¹	1.5	6.3 ¹	1.5

Door thickness (TS)	Cup distance (TA)		Door protrusion (TES)		Door overlay (A)		min. reveal (F)/gap (S)	
	F	S	F	S	F	S	F	S
12-20	1	1.5	1	1.5	1	1.5	1	1.5
22	4	1.5	3.5	1.5	3	1.5	2.2	1.5
24	6	1.5	5.2	1.5	4.5	1.5	4	1.5
26	8	1.5	7.2	1.5	6.4	1.5	5.8	1.5
28	10 ¹	1.5	9.2	1.5	8.4	1.5	7.6	1.5

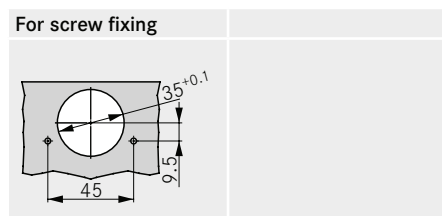
¹ Value achievable by use of a 85° opening angle reduction clip

NOTE

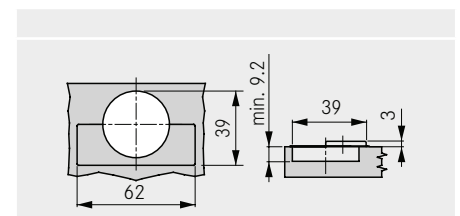
Minimum reveal for doors with chamfered edges (R = 1 mm) set at factory setting.

Trial fitting is recommended for all door thicknesses.

DRILLING TEMPLATE 45/9.5



CUP DIMENSIONS



TIOMOS M9

110° hinge (door thicknesses from 12 mm)

INSTALLATION INFORMATION

All dimensions in millimetres

Mitred application – circumferential and lateral		Max. overlay	
12 - 24 mm			
<p>Mounting plate height 3 * Dimension for mounting plate for 37 mm hole spacing</p>		<p>Mounting plate height 0 * Dimension for mounting plate for 37 mm hole spacing</p>	
Door thickness (TS)		Mitred application circumferential	Mitred application lateral
		R (min.)	R (min.)
	12-17	0	0
	18	0.2	0
	19	1	0.4
	20	1.5	1
	21	2.2	1.8
22	3	2.5	
24	4.3	4.1	

NOTE

With circumferential mitred application all sides 1.4 mm reveal.

Tiomos mounting plates	80
Accessories	90

Tipmatic	278
Technical information	94

Assembly aids	332
---------------	-----

INSTALLATION INFORMATION

All dimensions in millimetres

Rebated applications						
10 mm			13 mm			
<p>Mounting plate height 6 * Dimension for mounting plate for 37 mm hole spacing</p>			<p>Mounting plate height 6 * Dimension for mounting plate for 37 mm hole spacing</p>			
Rack location	TS (max.)	A (max.)	Y (max.)	TA (max.)	F (min.)	
	20	17	18.5	22	1	
	28	17	18.5	22	See reveal table	
	38	17	18.5	22		
16 mm						
<p>Mounting plate height 6 * Dimension for mounting plate for 37 mm hole spacing</p>						
Rack location	TS (max.)	A (max.)	Y (max.)	TA (max.)	F (min.)	
	20	14.5	16	19.5	1	
	26	14.5	16	19.5	See reveal table	
	32	12.5	14	17.5		

LEGEND

A	Overlay
F	Reveal
TA	Cup distance
TS	Door thickness